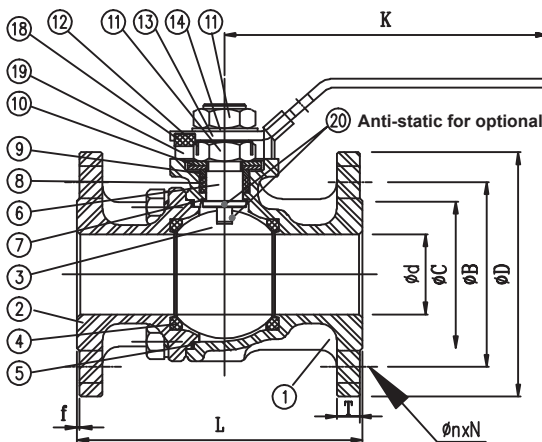
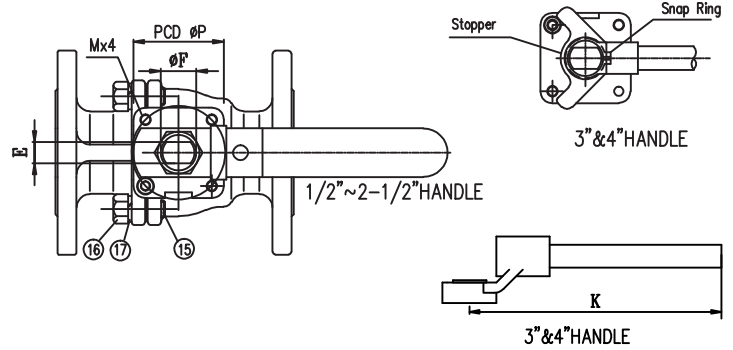
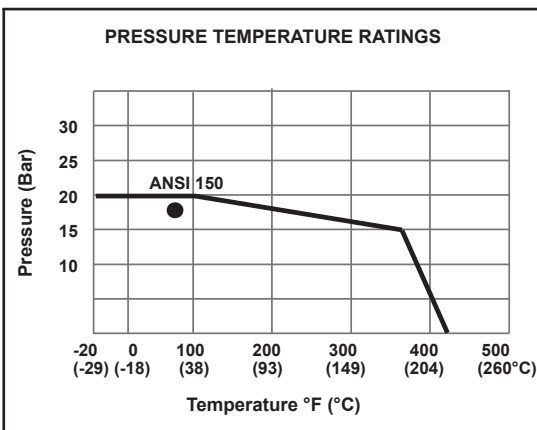


### Feature and Specifications

- Two piece design facilitates inspection and repair
- Blow-out proof stem
- Anti-Static design is for option
- Temperature range : -20 to 450°F
- Face to face : ANSI B16.10
- Flange dimensions : ANSI B16.5



Standard Material Specifications		
No.	Part Name	Materials
1	Body	ASTM A351 GR. CF8M
2	Cap	ASTM A351 GR. CF8M
3	Ball	ASTM A351 GR. CF8M
4	Seat	TFM1600
5	Gasket	TFM1600
6	Stem	SS316
7	Thrust Washer	POLYFILL
8	Packing	PTFE
9	Ring	SS304
10	Bevel Washer	SS301
11	Hex. Nut	SS304
12	Lock	SS304
13	Handle	SS304
14	Handle Washer	SS304
15	Bolt	SS304
16	Hex. Nut	SS304
17	Spring Washer	SS304
18	Bolt	SS304
19	Washer	SS304
20	Static Device	SPRING



Dimensions (mm)															
Size	Ød	ØB	ØC	ØD	E	ØF	K	L	T	f	Øn	N	M	ØP	torque kgf - cm
1/2"	15	60.5	35	88.9	8	12	145	108	9.6	1.6	15.9	4	M5	42	40
3/4"	20	69.9	43	98.6	8	12	145	117	9.6	1.6	15.9	4	M5	42	50
1"	25	79.2	51	108	8.7	14	165	127	9.6	1.6	15.9	4	M6	50	75
1-1/4"	32	88.9	63.5	117.3	8.7	14	165	139.7	11.1	1.6	15.9	4	M6	50	120
1-1/2"	38	98.6	73	127	15	22	240	165	12.7	1.6	15.9	4	M8	70	190
2"	50	120.7	92	152.4	15	22	240	178	14.2	1.6	19.1	4	M8	70	250
2-1/2"	65	139.7	105	177.8	15	22	240	190.5	16	1.6	19.1	4	M8	70	550
3"	80	152.4	127	190.5	17	25.8	345	203	17.5	1.6	19.1	4	M10	102	750
4"	100	190.5	157	228.6	17	25.8	345	228.6	22.3	1.6	19.1	8	M10	102	900

\*last updated 02/19